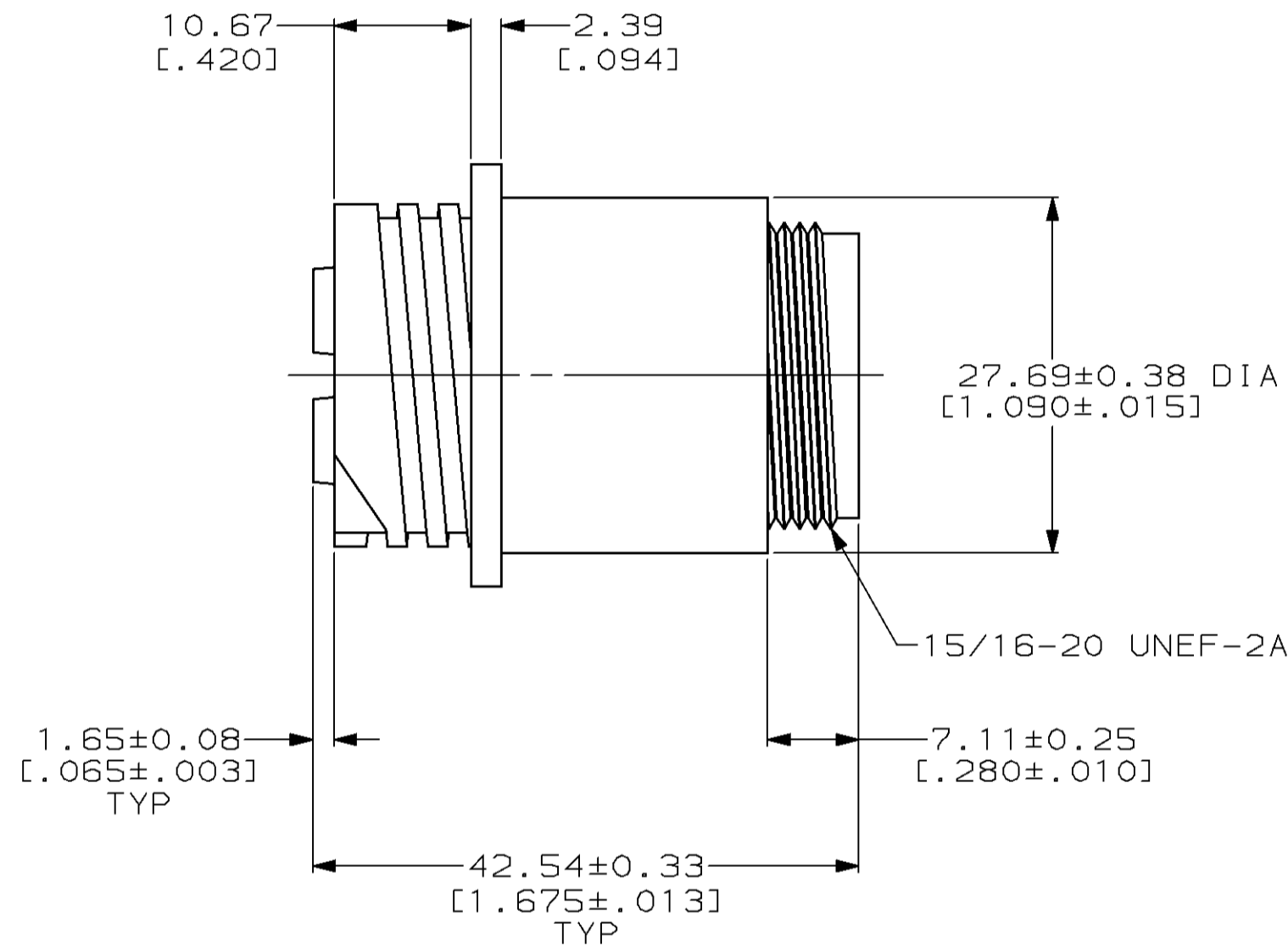
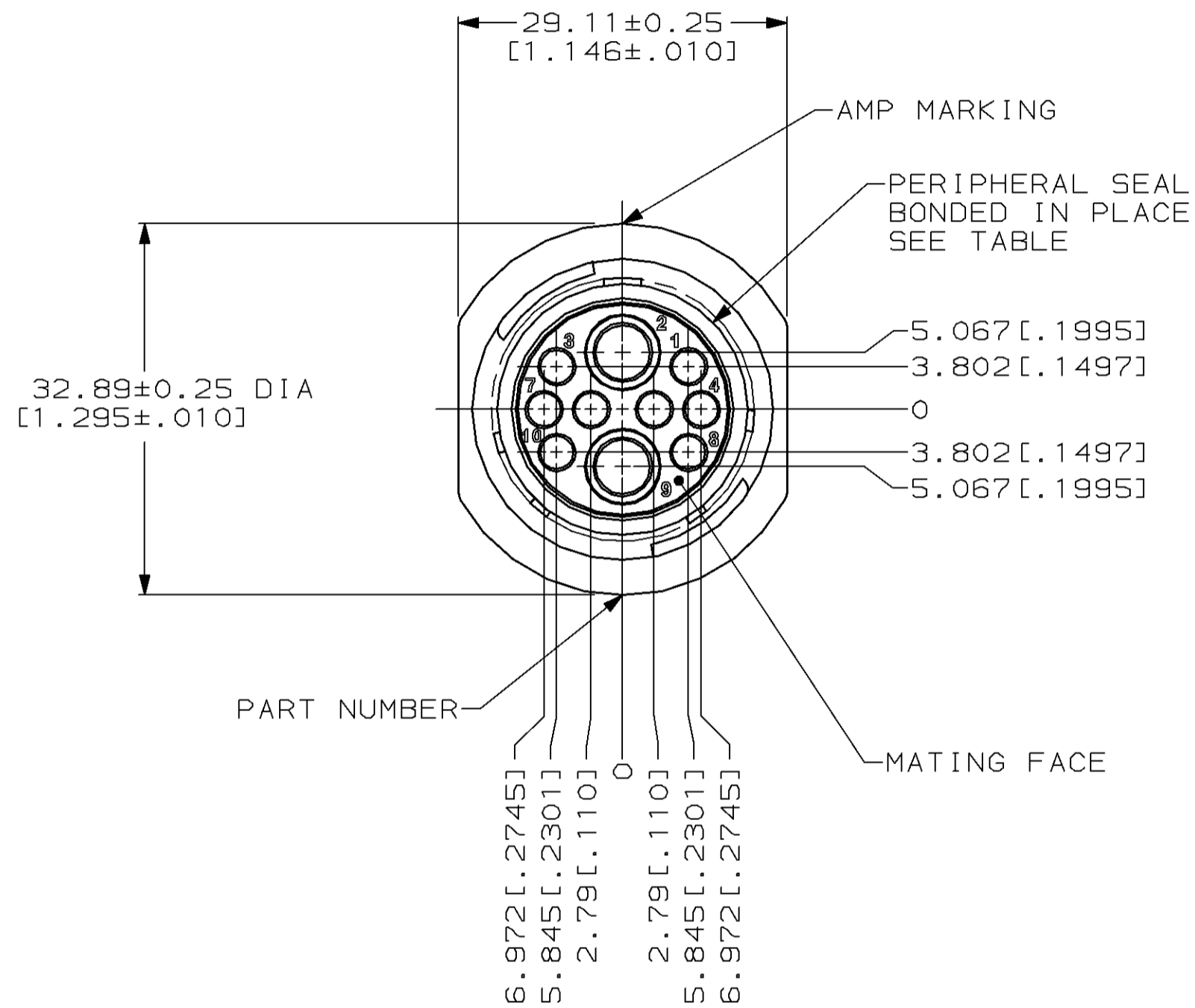


THIS DRAWING IS UNPUBLISHED. RELEASED FOR PUBLICATION
 BY AMP INCORPORATED. ALL RIGHTS RESERVED.

LOC	DIST	REVISIONS					
		P	LTR	DESCRIPTION	DATE	DWN	APVD
BD	35			RELEASED -1 PER NPR 5370, WAS 95-7970-20	06/27/95	-	-
		A		ADDED -2 AND REVISED PER EC 0020-900-95	15 SEP 95	DH	AF
		B		REV PER EC 0020-463-96	16 MAY 96	CR	AF



YES	213894-2
NO	213894-1
PERIPHERAL SEAL	PART NUMBER

THIS DRAWING IS A CONTROLLED DOCUMENT FOR AMP INCORPORATED. IT IS SUBJECT TO CHANGE AND THE CONTROLLING ENGINEERING ORGANIZATION SHOULD BE CONTACTED FOR THE LATEST REVISION.		DWN D.HARDY 06/27/95	AMP Incorporated Harrisburg, PA 17105-3608	
DIMENSIONS: mm [INCHES]		CHK R.STONE 06/29/95	NAME RECEPTACLE HOUSING, REVERSE SEX, SERIES 6, 17-10, CIRCULAR PLASTIC CONNECTOR	
TOLERANCES UNLESS OTHERWISE SPECIFIED: 0 PLC ±- 1 PLC ±- 2 PLC ±0.13 [.005] 3 PLC ±0.013 [.0005] 4 PLC ±- ANGLES ±- FINISH -		APVD A.FRANTUM 06/29/95	PRODUCT SPEC 108-1579	
MATERIAL NYLON, BLACK		APPLICATION SPEC -	SIZE A2	CAGE CODE 00779
		WEIGHT -	DRAWING NO C-213894	
		CUSTOMER DRAWING	SCALE 2:1	SHEET 1 OF 1
			REV B	